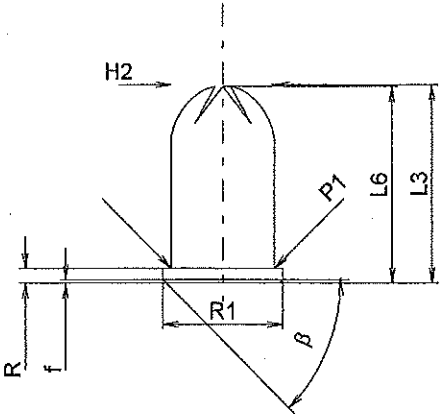
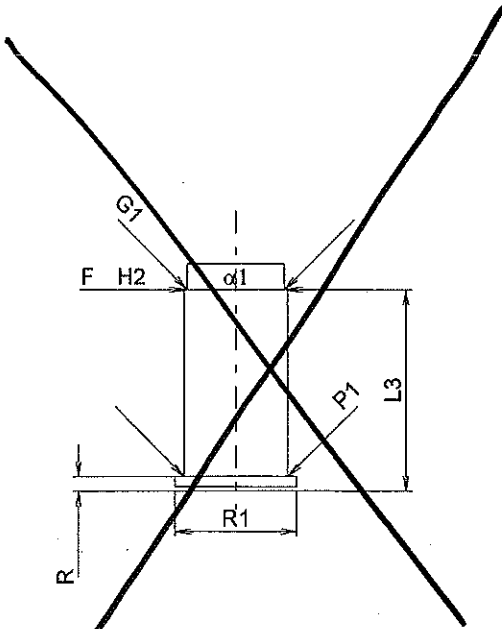


C.I.P.	9 x 17		TAB.	VI
			Date	84-06-14
	Country of Origin: DE		Revision	94-05-31
	CARTRIDGE MAXI		CHAMBER MINI	
	Lengths L1 = L2 = L3 ^{*)} = 18.30 L4 = L5 = L6 = 18.15 Case Head R = 1.35 R1 = 11.10 R3 = E = E1 = e min = delta = f = 0.30 beta = 45° Powder Chamber P1 = 9.58 P2 = Junction Cone alpha = S = r1 min = r2 = Collar H1 = H2 ^{*)} = 9.58 Volumes [cm³] VC = 1.08 Va 1 = 0.40 Va 2 = Pressures (Energies) Method Transducer [Va1] Pmax = 1450 bar PK = 1668 bar PE = 1885 bar M = Miscellaneous Dimensions Fe = delta L =		Lengths L1 = L2 = L3 ^{*)} = 18.50 Breech R ^{*)} = 1.30 R1 = 11.20 R2 = R3 = r = Powder Chamber E = P1 = 9.60 P2 = Junction Cone alpha = S = r1 max = r2 = Collar H1 = H2 = 9.60 Commencement of Rifling G1 [*] = 9.00 G = alpha 1 = 180° h = s = i = w = Barrel F [*] = 9.00 Z = 9.00 Volumes [cm³] V(ET) = 1.37 V(T) =	
	Scale 1.5:1 Dimensions in << mm >> Dimensions and Tolerances for Proof Barrels see Appendix CR 3.		Notes: 1) Check for safety reasons * Basic dimensions	